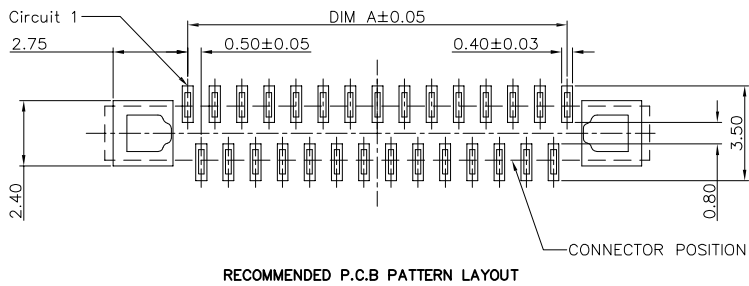
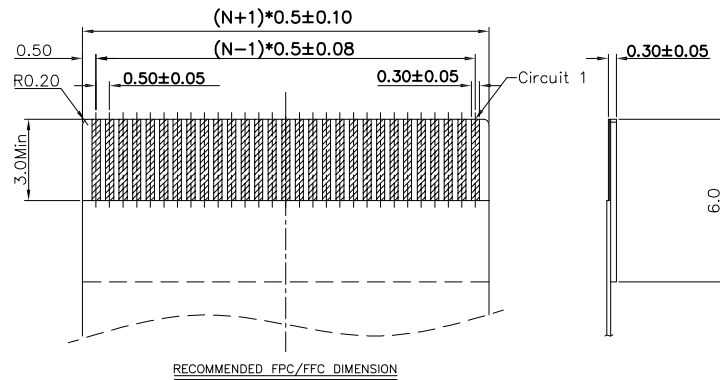
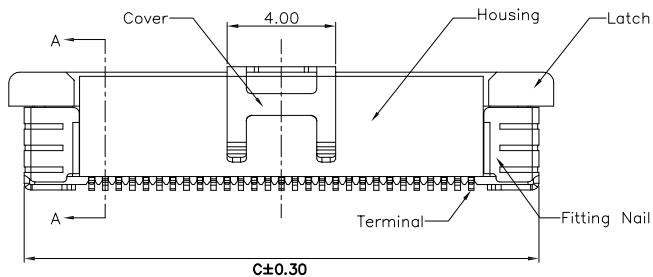


| CKTSDIM | A     | DIM B | DIM C | DIM D | DIM E | DIM F |
|---------|-------|-------|-------|-------|-------|-------|
| 4       | 1.50  | 2.60  | 6.50  | 7.60  |       |       |
| 5       | 2.00  | 3.10  | 7.00  | 8.10  |       |       |
| 6       | 2.50  | 3.60  | 7.50  | 8.60  |       |       |
| 7       | 3.00  | 4.10  | 8.00  | 9.10  |       |       |
| 8       | 3.50  | 4.60  | 8.50  | 9.60  |       |       |
| 9       | 4.00  | 5.10  | 9.00  | 10.10 |       |       |
| 10      | 4.50  | 5.60  | 9.50  | 10.60 |       |       |
| 11      | 5.00  | 6.10  | 10.00 | 11.10 |       |       |
| 12      | 5.50  | 6.60  | 10.50 | 11.60 |       |       |
| 13      | 6.00  | 7.10  | 11.00 | 12.10 |       |       |
| 14      | 6.50  | 7.60  | 11.50 | 12.60 |       |       |
| 15      | 7.00  | 8.10  | 12.00 | 13.10 |       |       |
| 16      | 7.50  | 8.60  | 12.50 | 13.60 |       |       |
| 17      | 8.00  | 9.10  | 13.00 | 14.10 |       |       |
| 18      | 8.50  | 9.60  | 13.50 | 14.60 |       |       |
| 19      | 9.00  | 10.10 | 14.00 | 15.10 | 4.40  | 5.65  |
| 20      | 9.50  | 10.60 | 14.50 | 15.60 |       |       |
| 21      | 10.00 | 11.10 | 15.00 | 16.10 |       |       |
| 22      | 10.50 | 11.60 | 15.50 | 16.60 |       |       |
| 23      | 11.00 | 12.10 | 16.00 | 17.10 |       |       |
| 24      | 11.50 | 12.60 | 16.50 | 17.60 |       |       |
| 25      | 12.00 | 13.10 | 17.00 | 18.10 |       |       |
| 26      | 12.50 | 13.60 | 17.50 | 18.60 |       |       |
| 27      | 13.00 | 14.10 | 18.00 | 19.10 |       |       |
| 28      | 13.50 | 14.60 | 18.50 | 19.60 |       |       |
| 29      | 14.00 | 15.10 | 19.00 | 20.10 |       |       |
| 30      | 14.50 | 15.60 | 19.50 | 20.60 |       |       |
| 31      | 15.00 | 16.10 | 20.00 | 21.10 |       |       |
| 32      | 15.50 | 16.60 | 20.50 | 21.60 |       |       |
| 33      | 16.00 | 17.10 | 21.00 | 22.10 |       |       |
| 34      | 16.50 | 17.60 | 21.50 | 22.60 |       |       |
| 35      | 17.00 | 18.10 | 22.00 | 23.10 |       |       |
| 36      | 17.50 | 18.60 | 22.50 | 23.60 |       |       |
| 37      | 18.00 | 19.10 | 23.00 | 24.10 |       |       |
| 38      | 18.50 | 19.60 | 23.50 | 24.60 |       |       |
| 39      | 19.00 | 20.10 | 24.00 | 25.10 |       |       |
| 40      | 19.50 | 20.60 | 24.50 | 25.60 |       |       |
| 41      | 20.00 | 21.10 | 25.00 | 26.10 |       |       |
| 42      | 20.50 | 21.60 | 25.50 | 26.60 |       |       |
| 43      | 21.00 | 22.10 | 26.00 | 27.10 |       |       |
| 44      | 21.50 | 22.60 | 26.50 | 27.60 |       |       |
| 45      | 22.00 | 23.10 | 27.00 | 28.10 | 4.95  | 6.20  |
| 46      | 22.50 | 23.60 | 27.50 | 28.60 |       |       |
| 47      | 23.00 | 24.10 | 28.00 | 29.10 |       |       |
| 48      | 23.50 | 24.60 | 28.50 | 29.60 |       |       |
| 49      | 24.00 | 25.10 | 29.00 | 30.10 |       |       |
| 50      | 24.50 | 25.60 | 29.50 | 30.60 |       |       |
| 51      | 25.00 | 26.10 | 30.00 | 31.10 |       |       |
| 52      | 25.50 | 26.60 | 30.50 | 31.60 |       |       |
| 53      | 26.00 | 27.10 | 31.00 | 32.10 |       |       |
| 54      | 26.50 | 27.60 | 31.50 | 32.60 |       |       |
| 55      | 27.00 | 28.10 | 32.00 | 33.10 |       |       |
| 56      | 27.50 | 28.60 | 32.50 | 33.60 |       |       |
| 57      | 28.00 | 29.10 | 33.00 | 34.10 |       |       |
| 58      | 28.50 | 29.60 | 33.50 | 34.60 |       |       |
| 59      | 29.00 | 30.10 | 34.00 | 35.10 |       |       |
| 60      | 29.50 | 30.60 | 34.50 | 35.60 |       |       |



A0500 W VS - 1\*NP X - X X - X X - NK-HF

代料(附) 1\*NP 2双排 X为色 8棕色 2蓝色 L蓝色 Y黄色 6印数 X形通 8形通 9形通 10形通 11形通 12形通 13形通 14形通 15形通 16形通 17形通 18形通 19形通 20形通 21形通 22形通 23形通 24形通 25形通 26形通 27形通 28形通 29形通 30形通 31形通 32形通 33形通 34形通 35形通 36形通 37形通 38形通 39形通 40形通 41形通 42形通 43形通 44形通 45形通 46形通 47形通 48形通 49形通 50形通 51形通 52形通 53形通 54形通 55形通 56形通 57形通 58形通 59形通 60形通

6印(1)镀金 5印(1)镀镍 NK为NO MARK MK为有MARK

1为PPS, 2为PBT, 3为LCP, 4为ABS, 5为PA6T, 6为PA66

V示意180°直针, VS立式  
R示意90°弯针, RS卧式

W示意针座  
W后无0默认材质为V0  
W后带2示意V2

Note:  
1. Material:  
1.1 Housing: thermoplastic high temp.UL94V-0;  
Color: natural.  
1.2 Latch: thermoplastic high temp.UL94V-0; Color: black.  
1.3 Terminal: copper alloy.  
1.4 Fitting Nail: copper alloy.  
2. Finsh:  
2.1 Terminal:  
Underplating: Au/matt Tin overall.  
2.2 Fitting Nail:  
Underplating: matt Tin overall.  
3. Product must comply HF RoHS specification.

| 日期版次<br>REVISION | 日期<br>DATE | 变更内容<br>DESCRIPTION | 核 准<br>APPROVALBY |
|------------------|------------|---------------------|-------------------|
|                  |            |                     |                   |
|                  |            |                     |                   |
|                  |            |                     |                   |

**东莞市平达电子科技有限公司**

料号PART NO: A0500WVS-1\*NPX-D

品名 TITLE: 0.5-Wafer(立式反脚)

材料: 单位: MM 包装规格: 比例: 1:1

制图: 审核: 核准: 日期: 2022.4.12

一般公差  
GENERAL TOLERANCE  
X.X ±0.25  
X.XX ±0.20  
ANGLE ±1°