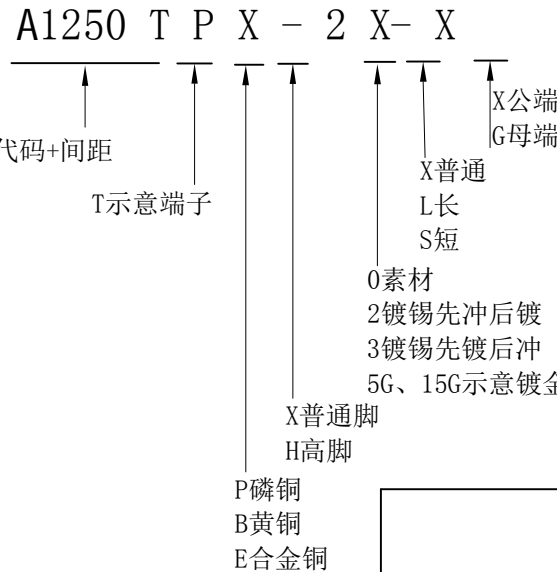
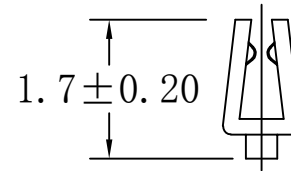
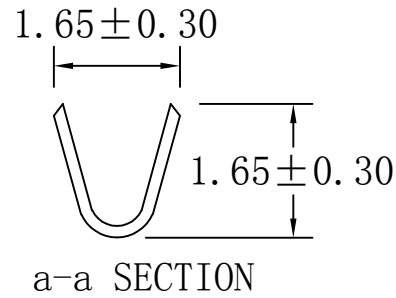


### 技术参数: SPECIFICATIONS

- Applicable wire: AWG#28~#32
- Voltage rating: 250V DC/AC (rms)
- Current rating: 2A
- Withstand voltage: 800V AC(rms)
- Working Temperature: -25°C+85°C
- Insulation resistance: ≥1000MΩ
- Contact resistance: ≤0.02Ω TERMINAL

- PART NO:
- THICKNESS: 0.15MM
- MATERIAL: PHOSPHOR BRONZE
- FINISH: NI:20-50U" SN:70-120U"
- Q'TY: 15000PCS/REEL



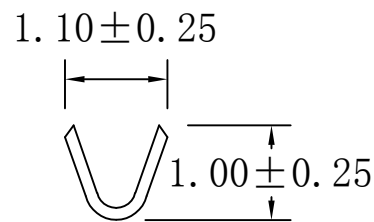
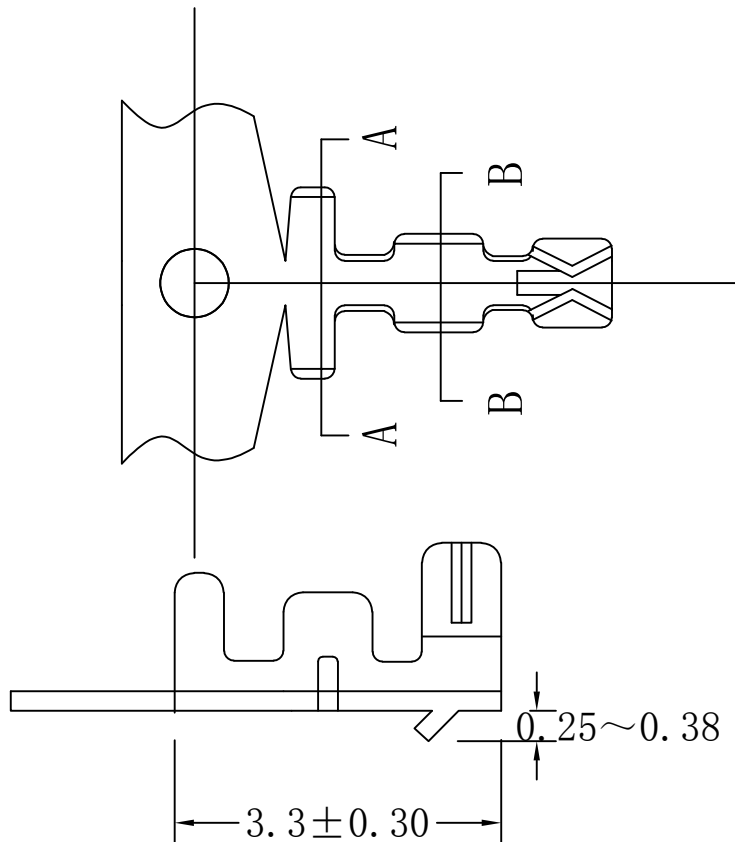
东莞市平达电子科技有限公司

料号 PART NO: A1250TPX-2X-G

品名 TITLE: MX1.25-T

一般公差  
GENERAL TOLERANCE  
X.X ±0.15  
X.XX ±0.05  
ANGLE ±1°

A1	21-9-11	包装数由10K/盘改为15K/盘	陈长青	材料: C5191	单位: MM	包装规格: 15K/卷	比例: 1:1	
版次 REVISION	日期 DATE	变更内容 DESCRIPTION	核 准 APPROVAL BY	制图: 胡宗星	审核: 陈长青	核准:	日期: 2022.04.14	



6

5

4

3

2

1